



# High impact tank cleaning machine »IntenseClean Hygienic« Series 5TB

## Series 5TB

The IntenseClean Hygienic 5TB has firmly established itself, above all in the pharmaceutical, food and beverage industries – and with good reason: The especially strong solid jets produce an extremely high degree of effectiveness, while the gear-controlled rotation ensures high levels of efficiency. All parts used are noted for their particularly high surface quality. This series is suitable for high pressures and temperatures.



### Function video

Scan the QR-code  
or go to:  
[www.lechler.de/IntenseCleanHygienic5TBGB](http://www.lechler.de/IntenseCleanHygienic5TBGB)

	<b>Max. Tank diameter [m]</b>	0	3	6	9	12	15	18	21	24	27
--	-------------------------------	---	---	---	---	----	----	----	----	----	----



**Materials**  
Stainless steel 316L SS,  
Stainless steel 632 SS,  
PEEK, PTFE, Zirconium  
oxide, EPDM



**Max. temperature**  
95 °C



**Recommended  
operating pressure**  
5 bar



**Installation**  
Operation in every  
direction is possible



**Filtration**  
Line strainer with a mesh  
size of 0.2 mm/80 Mesh



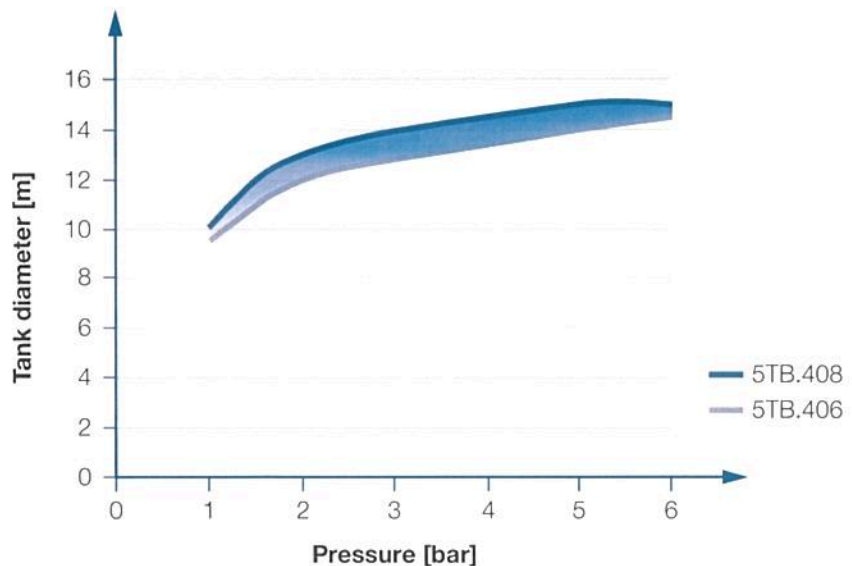
**Bearing**  
Ball bearing



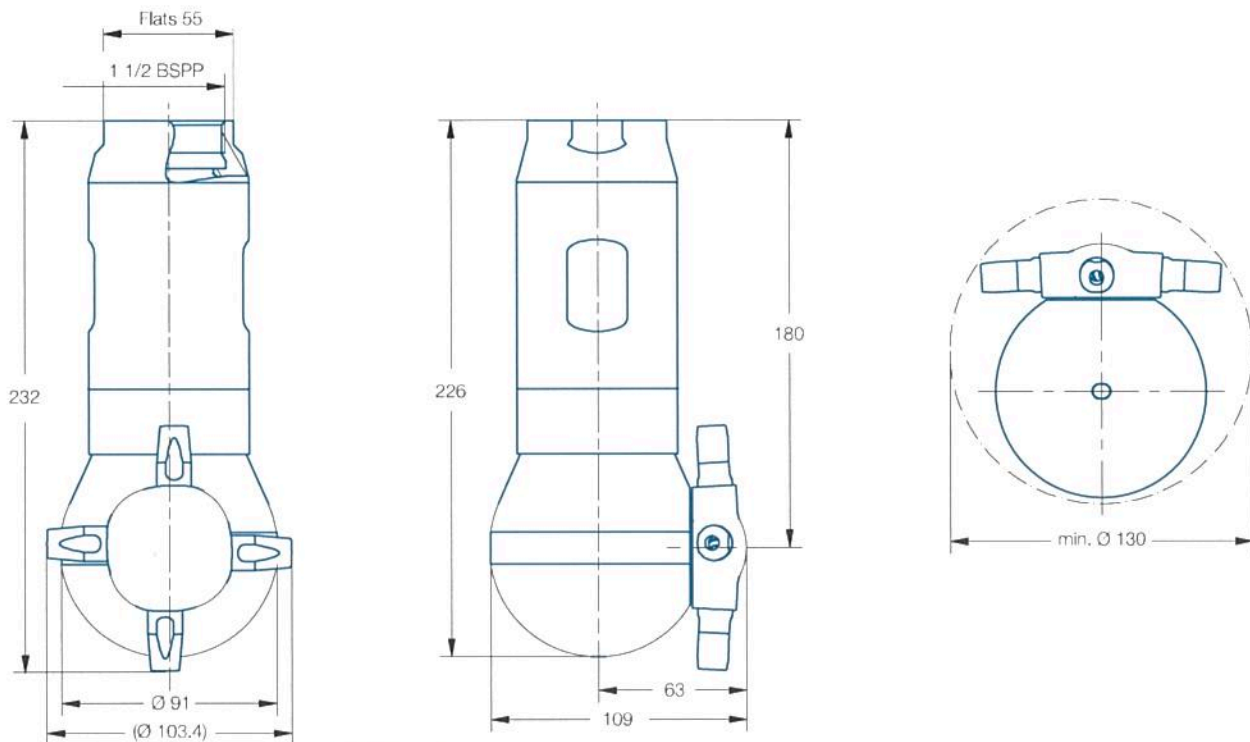
**Weight**  
4.0 kg





**Rotation  
monitoring sensor**  
Sensor compatible,  
Info: see page 68



Overview of the tank diameter, depending upon the pressure of series 5TB

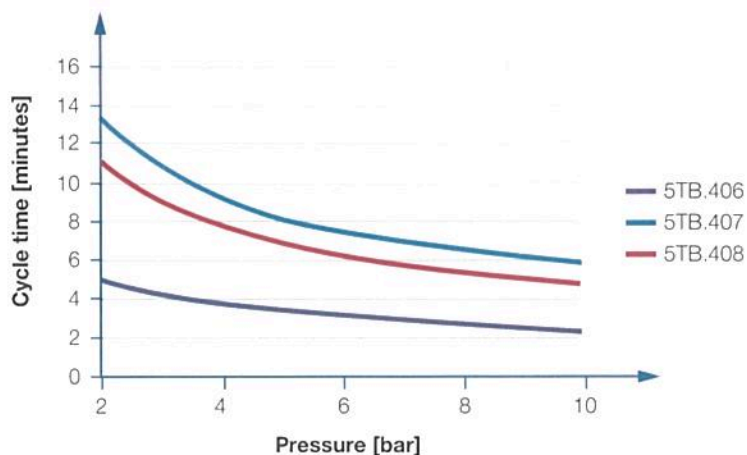


Female thread

Spray angle 	Ordering no. Type	E Ø [mm]	Number, Ø Nozzles [mm]	V [l/min]				Max. tank diameter [m]
				p [bar] (p <sub>max</sub> = 25 bar)				
				2	5	10	at 40 psi [US gal./ min]	
360° 	5TB.406.1Y.AS	6.0	4 x 6.0	107	169	239	33.1	14.0
	5TB.407.1Y.AS	6.0	4 x 7.0	135	213	302	41.9	14.0
	5TB.408.1Y.AS	6.0	4 x 8.0	165	261	369	51.2	15.0

E = Narrowest free cross-section

The maximum tank diameter shown above applies for the recommended operating pressure and is indicative only. The cleaning result is also affected by the type of soiling.



Cycle time depending on pressure of series 5TB

Example of ordering with ATEX-approval. FDA and (EG) 1935/2004 conform.



Unit group / category / zones:

II 1 GD c IIB TX Ta 4°C to 120°C  
for zone 0, 1, 2 (gas atmosphere)  
for zone 20, 21, 22 (dust atmosphere)



Example of Ordering:

Type/Ordering no.  
5TB.406.1Y.AS.EX

Example of ordering with FDA and (EG) 1935/2004 conformity.



All Materials are suitable for contact with food.



Example of Ordering:

Type/Ordering no.  
5TB.406.1Y.AS