



# High impact tank cleaning machine

## »IntenseClean Hygienic«

### Series 5TA

#### Series 5TA

The IntenseClean Hygienic 5TA is a permanent feature, especially in the pharmaceutical, food and beverage industries. It is extremely effective thanks to the particularly powerful solid jet nozzles and is also suitable for small tanks with persistent soiling. The series can resist pressures of up to 15 bar and high temperatures without any problem. All parts used exhibit a particularly high surface quality.



#### Function video

Scan the QR-code or go to:  
[www.lechler.de/IntenseCleanHygienic5TAGB](http://www.lechler.de/IntenseCleanHygienic5TAGB)

	<b>Max. Tank diameter [m]</b>	0	3	6	9	12	15	18	21	24	27
--	-------------------------------	---	---	---	---	----	----	----	----	----	----



**Materials**  
Stainless steel 316L SS,  
Stainless steel 632 SS,  
PEEK, PTFE, Zirconium  
oxide, EPDM



**Max. temperature**  
95 °C



**Recommended operating pressure**  
5 bar



**Installation**  
Operation in every direction is possible



**Filtration**  
Line strainer with a mesh size of 0.2 mm/80 Mesh



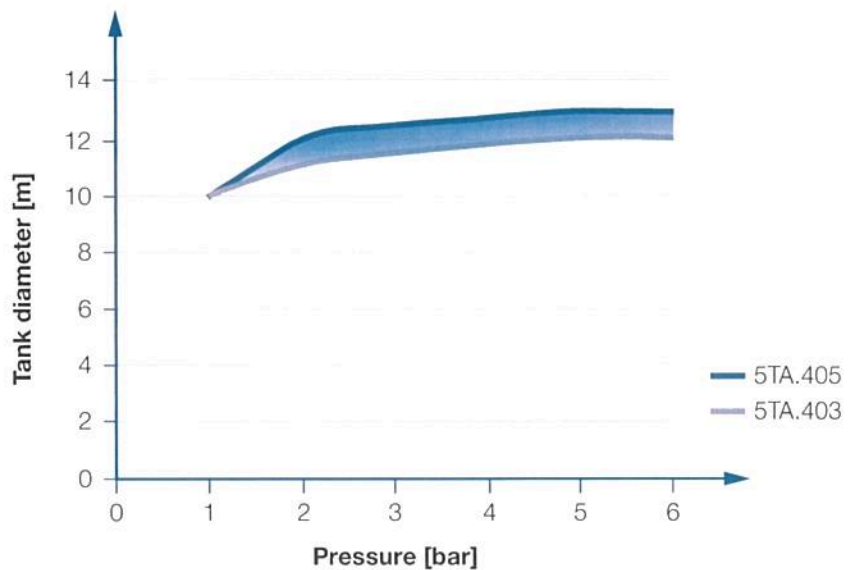
**Bearing**  
Ball bearing



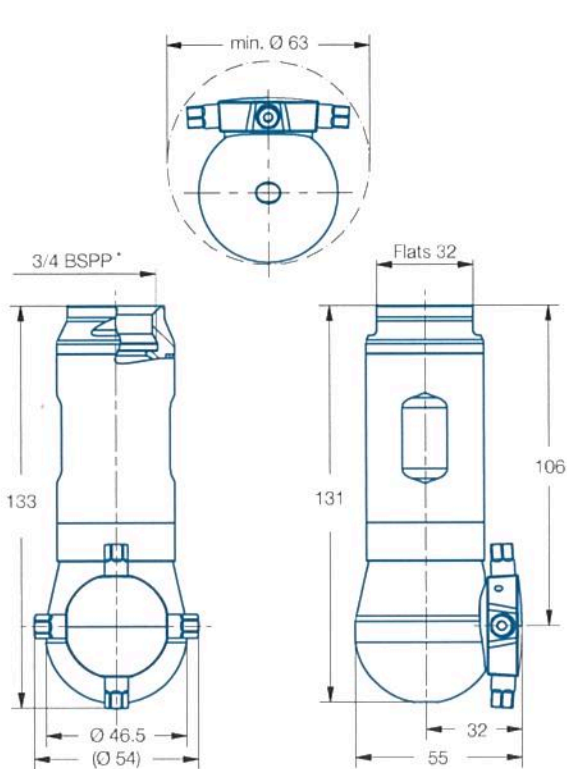
**Weight**  
0.9 kg



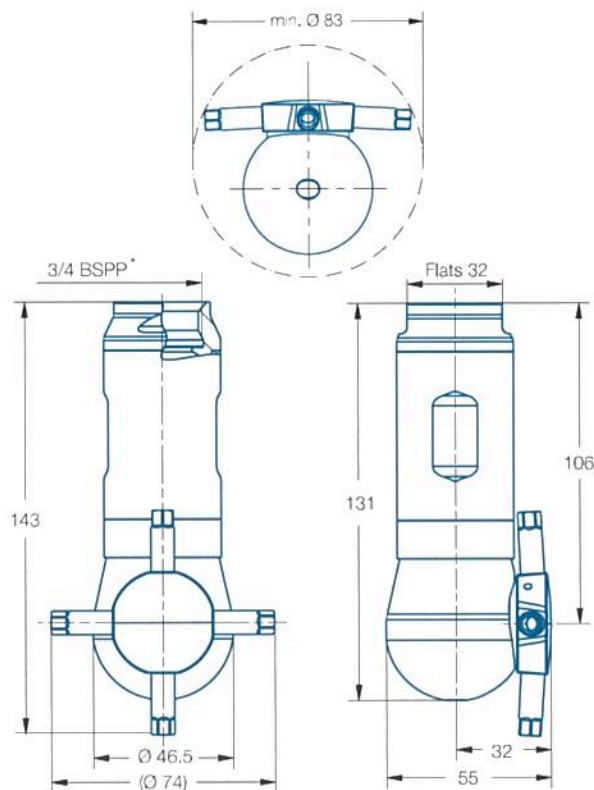
**Rotation monitoring sensor**  
Sensor compatible,  
Info: see page 68



Overview of the tank diameter, depending upon the pressure of series 5TA



Female thread  
5TA.403.1Y.AL and 5TA.404.1Y.AL



Female thread  
5TA.405.1Y.AL

Spray angle	Ordering no. Type	E Ø [mm]	Number. Ø Nozzles [mm]	V̇ [l/min]				Max. tank diameter [m]
				p [bar] (p <sub>max</sub> = 15 bar)				
				2	5	10	at 40 psi [US gal./min]	
360°	5TA.403.1Y.AL	1.5	4 x 3.0	25	40	56	7.8	12.0
	5TA.404.1Y.AL	1.5	4 x 4.0	35	55	78	10.9	12.5
	5TA.405.1Y.AL	1.5	4 x 5.0	50	79	112	15.5	13.0

E = Narrowest free cross-section  
Slip-on connection on request

The maximum tank diameter shown above applies for the recommended operating pressure and is indicative only. The cleaning result is also affected by the type of soiling.



Cycle time depending on pressure of series 5TA

Example of ordering with ATEX-approval. FDA and (EC) 1935/2004 conform.



Unit group / category / zones:

II 1 GD c IIB TX Ta 4°C to 120°C  
for zone 0, 1, 2 (gas atmosphere)  
for zone 20, 21, 22 (dust atmosphere)



Example of Ordering:

Type/Ordering no.  
5TA.403.1Y.AL.EX

Example of ordering with FDA and (EC) 1935/2004 conformity.



All Materials are suitable for contact with food.



Example of Ordering:

Type/Ordering no.  
5TA.403.1Y.AL