



Rotating cleaning nozzle »XactClean® HP« Series 5S2 / 5S3

NEW

Series 5S2 / 5S3

Specially developed flat fan nozzles provide high impact and uniform cleaning for the XactClean® HP. The controlled rotation ensures that the XactClean® HP works extremely efficient. Thanks to the robust drive unit the XactClean® HP is very reliable and ensures increased operation liability. It is available in various spray angles and flow rates and is also compatible with the Lechler rotating monitoring sensor.



Function video

Scan the QR-code
or go to:
[www.lechler.de/
XactCleanHPGB](http://www.lechler.de/XactCleanHPGB)

	Max. tank diameter [m]	0	1	2	3	4	5	6	7	8
--	-------------------------------	---	---	---	---	---	---	---	---	---



Materials
Stainless steel 316L SS,
stainless steel 316 SS,
Stainless steel 632 SS,
PEEK, PTFE, Zirconium
oxide, EPDM



Max. temperature
95 °C



**Recommended
operating pressure**
5 bar



Installation
Operation in every direction
is possible



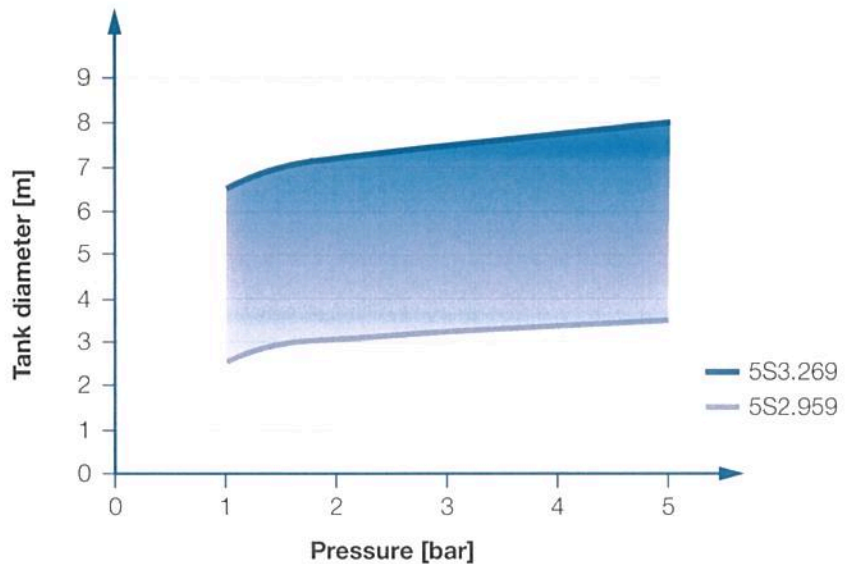
Filtration
Line strainer with
a mesh size of
0.3 mm/50 mesh



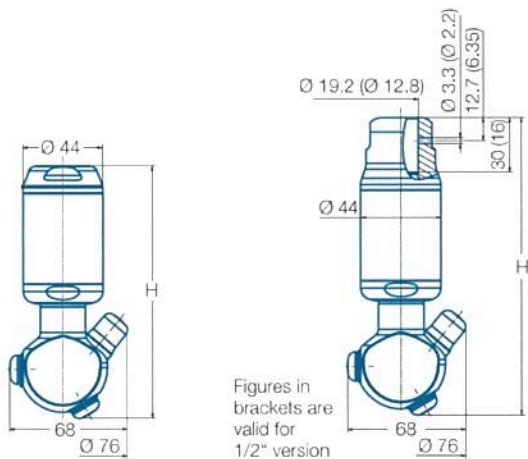
Bearing
Double ball bearing



**Rotation
monitoring sensor**
Sensor compatible
Info: see page 57



Overview of the tank diameter, depending upon the pressure of series 5S2 / 5S3



Female thread

Figures in brackets are valid for 1/2" version

Dimensions slip-on connection according to ASME-BPE (OD-tube)

Nozzle dimensions [mm]

Connection	H
AF	146
AH	149
AL	139
AN	139
TF05	148
TF07	164

Spray angle	Ordering no.							E Ø [mm]	V [l/min]				Max. tank diameter [m]
	Type	Connection							p [bar] (p _{max} = 15 bar)				
		3/8 BSPP female	1/2 BSPP female	3/4 BSPP female	1 BSPP female	1/2" Slip-on	3/4" Slip-on		2	5	10	at 40 psi [US gal./min]	
180°	5S2.953.1Y	AF	AH	-	-	TF05	-	2.0	25	40	57	7.8	3.5
	5S3.053.1Y	-	AH	-	-	TF05	-	2.0	41	65	92	12.8	4.0
	5S3.113.1Y	-	AH	AL	-	-	TF07	2.0	60	94	133	18.4	6.0
	5S3.183.1Y	-	-	AL	-	-	TF07	2.0	89	141	199	27.7	7.0
	5S3.233.1Y	-	-	AL	-	-	TF07	2.0	111	175	248	34.3	7.5
	5S3.263.1Y	-	-	AL	AN	-	TF07	2.0	135	213	301	41.8	8.0
180°	5S2.954.1Y	AF	AH	-	-	TF05	-	2.0	25	40	57	7.8	3.5
	5S3.054.1Y	-	AH	-	-	TF05	-	2.0	41	65	92	12.8	4.0
	5S3.114.1Y	-	AH	AL	-	-	TF07	2.0	60	94	133	18.4	6.0
	5S3.184.1Y	-	-	AL	-	-	TF07	2.0	89	141	199	27.7	7.0
	5S3.234.1Y	-	-	AL	-	-	TF07	2.0	111	175	248	34.3	7.5
	5S3.264.1Y	-	-	AL	AN	-	TF07	2.0	135	213	301	41.8	8.0
270°	5S2.955.1Y	AF	AH	-	-	TF05	-	2.0	25	40	57	7.8	3.5
	5S3.055.1Y	-	AH	-	-	TF05	-	2.0	41	65	92	12.8	4.0
	5S3.115.1Y	-	AH	AL	-	-	TF07	2.0	60	94	133	18.4	6.0
	5S3.185.1Y	-	-	AL	-	-	TF07	2.0	89	141	199	27.7	7.0
	5S3.235.1Y	-	-	AL	-	-	TF07	2.0	111	175	248	34.3	7.5
	5S3.265.1Y	-	-	AL	AN	-	TF07	2.0	135	213	301	41.8	8.0
270°	5S2.956.1Y	AF	AH	-	-	TF05	-	2.0	25	40	57	7.8	3.5
	5S3.056.1Y	-	AH	-	-	TF05	-	2.0	41	65	92	12.8	4.0
	5S3.116.1Y	-	AH	AL	-	-	TF07	2.0	60	94	133	18.4	6.0
	5S3.186.1Y	-	-	AL	-	-	TF07	2.0	89	141	199	27.7	7.0
	5S3.236.1Y	-	-	AL	-	-	TF07	2.0	111	175	248	34.3	7.5
	5S3.266.1Y	-	-	AL	AN	-	TF07	2.0	135	213	301	41.8	8.0
360°	5S2.959.1Y	AF	AH	-	-	TF05	-	1.7	25	40	57	7.8	3.5
	5S3.059.1Y	-	AH	-	-	TF05	-	2.0	41	65	92	12.8	4.0
	5S3.119.1Y	-	AH	AL	-	-	TF07	2.0	60	94	133	18.4	6.0
	5S3.189.1Y	-	-	AL	-	-	TF07	2.0	89	141	199	27.7	7.0
	5S3.239.1Y	-	-	AL	-	-	TF07	2.0	111	175	248	34.3	7.5
	5S3.269.1Y	-	-	AL	AN	-	TF07	2.0	135	213	301	41.8	8.0

E = Narrowest free cross-section · NPT on request

The maximum tank diameter shown above applies for the recommended operating pressure and is indicative only. The cleaning result is also affected by the type of soiling.



Rotating cleaning nozzle »XactClean® HP« Series 5S2 / 5S3

Information on operation

- Operation with compressed air only for short-term usage. Operation above the recommended operating pressure means higher wear and smaller droplets. This might have adverse effects on the cleaning result.

Slip-on information

- R-clip made of stainless steel 316L SS is included (Ordering no.: 095.022.1Y.50.60.E (TF07), 095.013.1E.05.59.0 (TF05)).
- Depending on diameter of the adapter the flow rate can increase due to leakage between connecting pipe and rotating cleaning nozzle.

**Example of ordering with ATEX-approval.
FDA and (EC) 1935/2004 conform.**



Unit group / category / zones:

II 1 GD c IIB TX

Specific operating instructions TX:

T_a 4°C to 120°C

T_{medium} 4°C to 95°C

Example	Type	+ Connection	= Ordering no.
of Ordering:	5S2.953.1Y.XX.EX	+ AL	= 5S2.953.1Y.AL.EX

**Example of ordering with FDA
and (EC) 1935/2004 conformity.**



**All Materials are suitable for
contact with food.**



Example	Type	+ Connection	= Ordering no.
of Ordering:	569.103.1Y.XX	+ AL	= 569.103.1Y.AL

Attention: for the ATEX version of the slip-on connection the code for the connection changes. 1/2" slip-on: T5 · 3/4" slip-on: T7
Example of ordering slip-on connection: 5S2.953.1Y.T5.EX