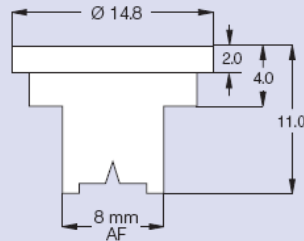


Even flat spray nozzles ES

Spray angle: 90°
Material: brass, POM



G 1435 G 1437
G 1436 G 1438



Features

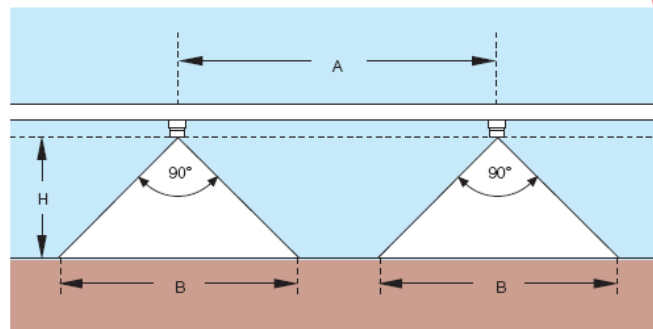
- Even Flat spray nozzle
- Nozzle sizes 01 to 08
- Pressure range 1.0 to 4.0 bar
- Fits all bayonet cap systems with 8 mm AP or threaded caps
- Special-purpose nozzle for band and row spraying in combination with boom sprayers, seeders and hoeing implements
- Uniform distribution of active ingredient across the entire range thanks to rectangular spray pattern
- Fully developed spray angle from 1.0 bar on up
- Minimal spray losses thanks to precise delimitation of the liquid jet
- BBA approved (1.5 to 3.0 bar)
- Included in the lists of »Drift and Loss reducing Techniques«, **BBA, ÖAIP, Hjälpreda**

Range of application

- Application of plant protectants in banding/row spraying
- Small implements, e.g. as individual nozzle for knap sack sprayers

Nozzle alignment

Lechler's even flat spray nozzles ES enable extremely short spray heights (H), thus extensively avoiding band drift. The width of the spray band (B) can be varied by altering the spray height (H) and/or rotating the spray axis to change the spray offset.



**In several countries
Lechler ES nozzles are
rated for drift reduction
90 %.**

Please see updated lists of approved Lechler drift reducing nozzles with terms of use for respective countries under www.lechler-agri.com

Application-rate reduction

See page 7 for a formula with which to calculate the application rate for band and row spraying.

| Spray height cm | Band width cm | Application rate* (in %). for a row spacing, A, of: | | |
|--------------------|------------------|--|-------|--------|
| | | 50 cm | 75 cm | 100 cm |
| 7 | 10 | 20 | 13 | 10 |
| 10 | 15 | 30 | 20 | 15 |
| 13 | 20 | 40 | 27 | 20 |
| 16 | 25 | 50 | 33 | 25 |

* Percentages in comparison with full-area treatment



Hoe with band sprayer



Band sprayer